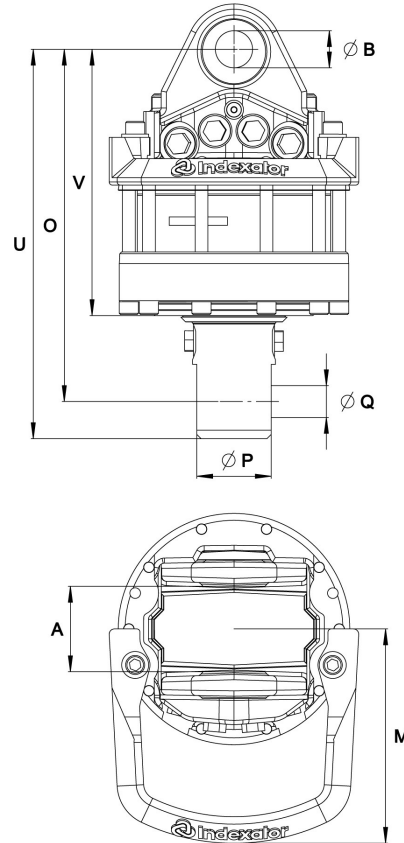
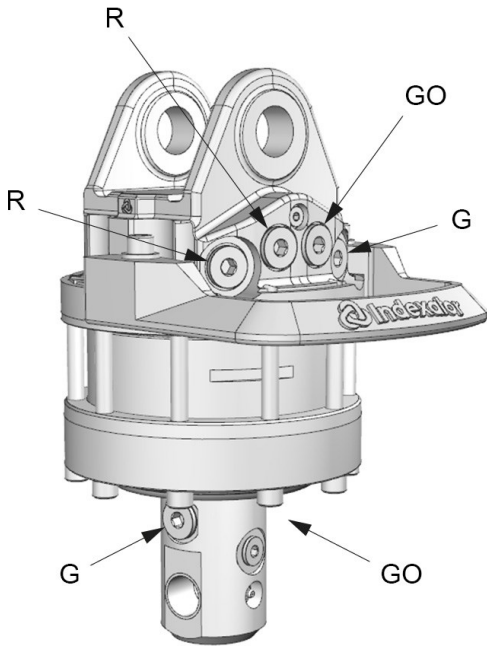


# GV 12 -78/30 P

Part No.: 5212170



Upper connection	Lower connection
G 1/2	G 1/2

A: 80,5 mm	B: Ø35 mm	M: 202 mm	O: 274 mm	P: Ø78 mm	Q: Ø30 mm	U: 367 mm	V: 251 mm
---------------	--------------	--------------	--------------	--------------	--------------	--------------	--------------

48.3 kg	360°	100 kN	50 kN	2200 Nm	25 l/min	25 MPa	25 MPa	25 MPa

Adapter sets are available for alternative connections.

For further technical information relating to integration and hydraulic connections, please contact [rotator@indexator.com](mailto:rotator@indexator.com)